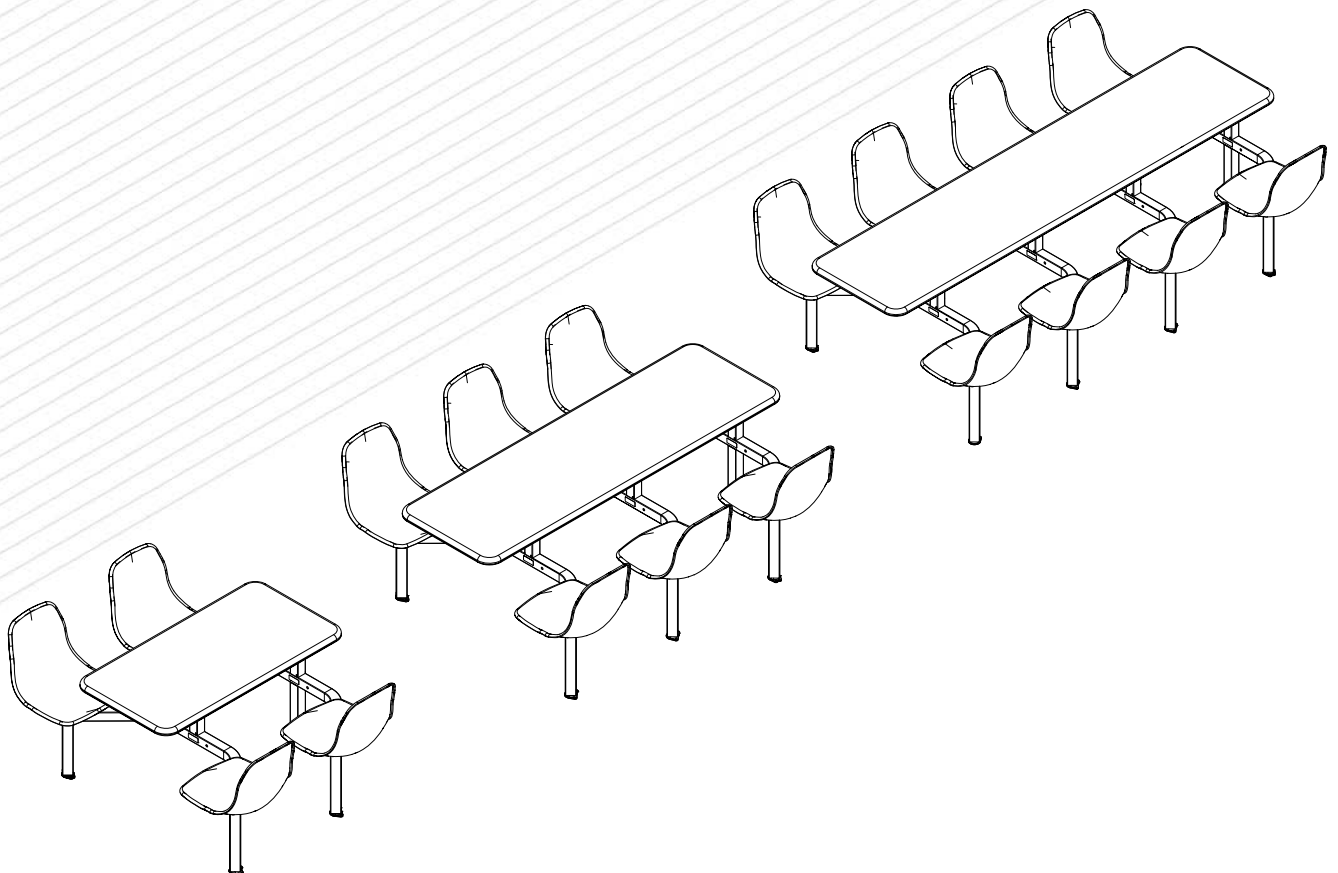


Installation Manual

Cebra Wall Style Cluster frames

Z000000081

Revised 06/24/19



Address 14400 Southcross Drive West
Burnsville, Minnesota 55306

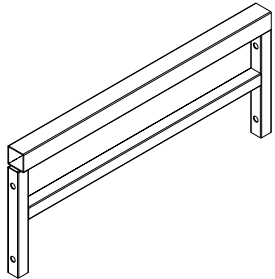
Web Plymold.com
Phone 800.PLYMOLD

 **Plymold**
a division of Foldcraft

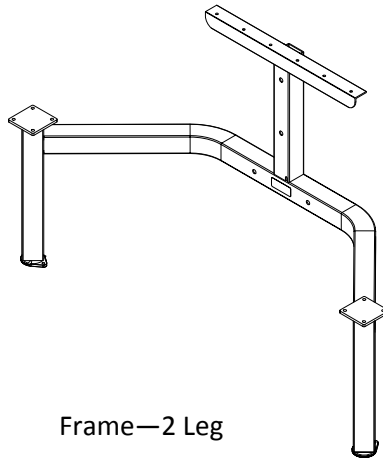
Unpacking Your Shipment

Unpack and identify each component in each box that you received.

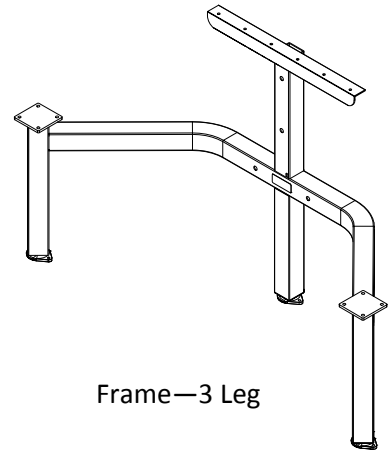
Components



Coupling

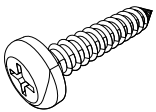


Frame—2 Leg



Frame—3 Leg

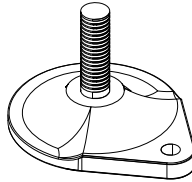
Hardware



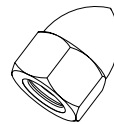
#10x1" Screw



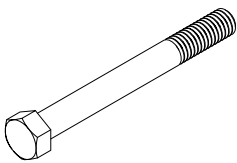
Plastic Floor



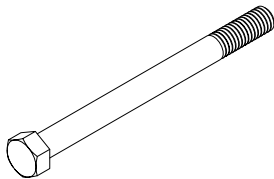
Teardrop Glide



Acorn Nut 3/8-16



Hex Head Cap
Screw 3/8-16 x 3.5



Hex Head Cap
Screw 3/8-16 x 4.5

Tools Required



Pencil or Marker



Screw Gun w/ #2 Phillips Bit



Screw Driver



Hammer Drill w/ 1/4" Masonry Bit



7/16", 9/16" Socket and Open end Wrench



Level

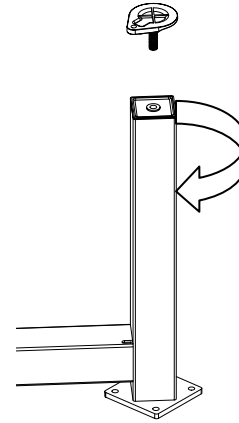


Tape Measure

Assembly

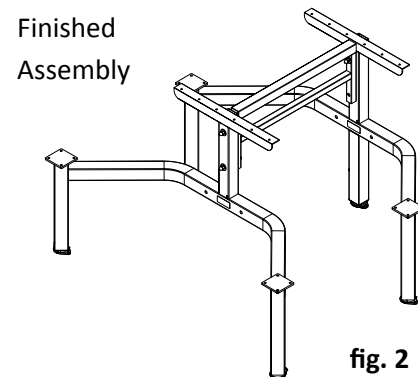
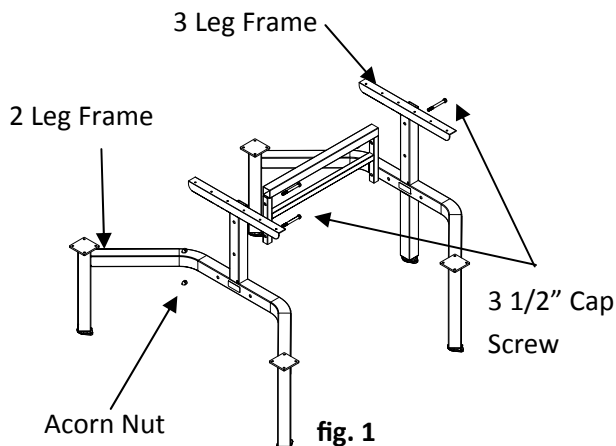
Step 1: Glide Assembly

- Assemble tear drop thread-in glide into the insert, on the bottom of each of the legs.



Step 2: Frame Assembly (4 Seat Wall Style)

- Start with a 3 leg frame align upper holes in frame with holes in coupling. Using (2) 3/8"-16 x 3.5 hex head cap screw and acorn nut, assemble the three leg section to the coupling. **(fig .1)**
- Now grab a 2 leg frame and align the upper holes with the other end of the coupling. Using (2) 3/8"-16 x 3.5 hex head cap screw and acorn nut, assemble the two leg section to the coupling. **(fig.1)**



Step 3 Frame Assembly (6 Seat Wall Style)

- Start with a 3 leg frame align upper holes in frame with holes in coupling. Using (2) 3/8"-16 x 3.5 hex head cap screw and acorn nut, assemble the three leg section to the coupling. **(fig .3)**
- Now grab a 2 leg frame along with a 2nd coupling. Align the upper holes with the other end of the coupling. Using (2) 3/8"-16 x 4.5 hex head cap screw and acorn nut, assemble the 2 leg section to the two couplings. **(fig.3)**
- Grab 1 more 2 Leg Support. Align holes in coupling with holes in vertical supports of your 2 leg frame. Using 3/8"-16 x 3.5 hex head cap screw and acorn nut, assemble the coupling and leg together. **(fig. 3)**

Assembly

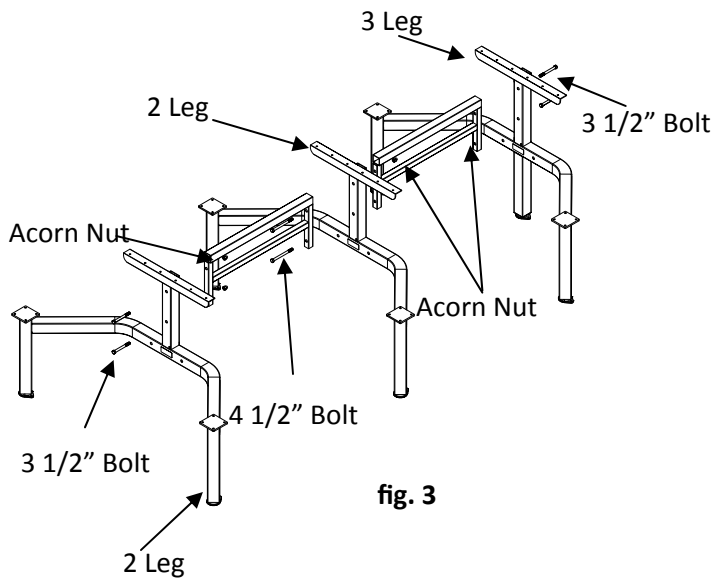


fig. 3

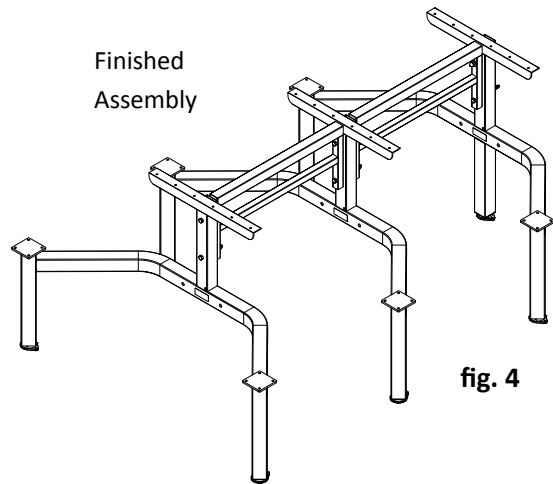


fig. 4

Step 4 Frame Assembly (8 Seat Wall Style)

- Start with a 3 leg frame align upper holes in frame with holes in coupling. Using (2) 3/8"-16 x 3.5 hex head cap screw and acorn nut, assemble the three leg section to the coupling. **(fig. 3)**
- Now grab a 2 leg frame along with a 2nd coupling. Align the upper holes with the other end of the coupling. Using (2) 3/8"-16 x 4.5 hex head cap screw and acorn nut, assemble the 2 leg section to the two couplings. **(fig.3) (Repeat this step a 2nd time)**
- Grab 1 more 2 Leg Support. Align holes in coupling with holes in vertical supports of your 2 leg frame. Using 3/8"-16 x 3.5 hex head cap screw and acorn nut, assemble the coupling and leg together. **(fig. 3)**

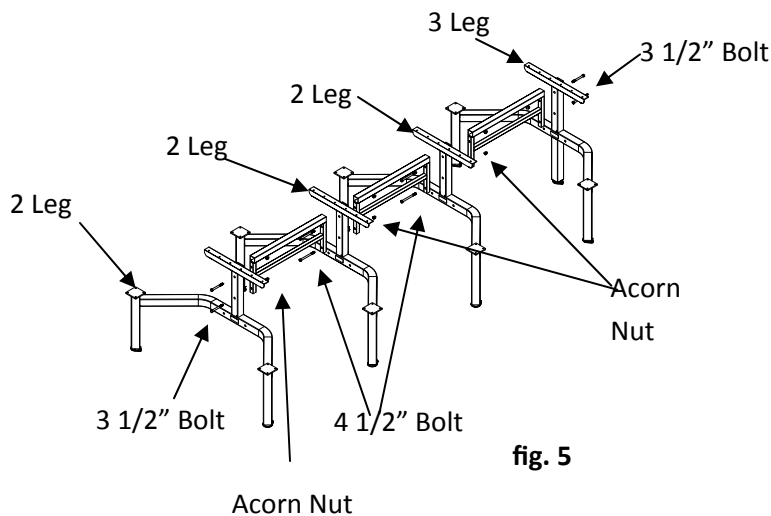


fig. 5

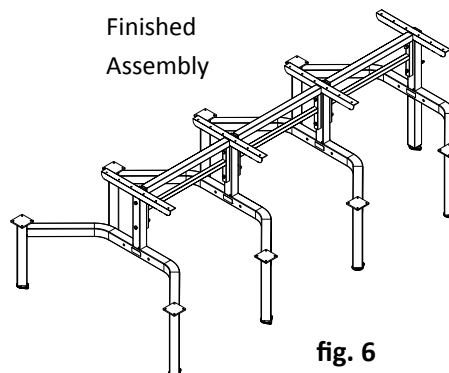
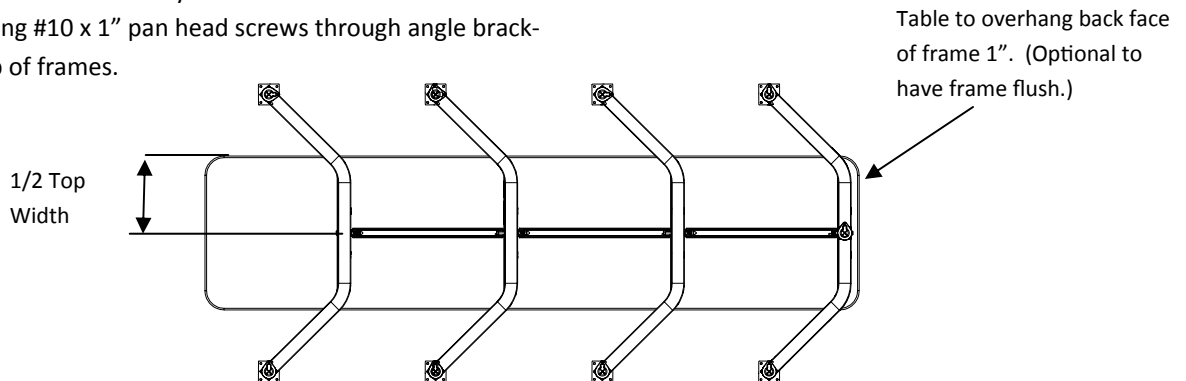


fig. 6

Assembly

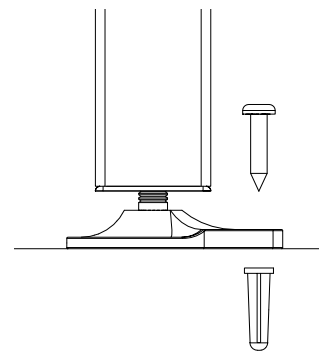
Step 5: Fastening Table Tops

- Place Table As shown for your desired unit. Attach to frame using #10 x 1" pan head screws through angle brackets at top of frames.



Step 6: Fasten Glides to Floor

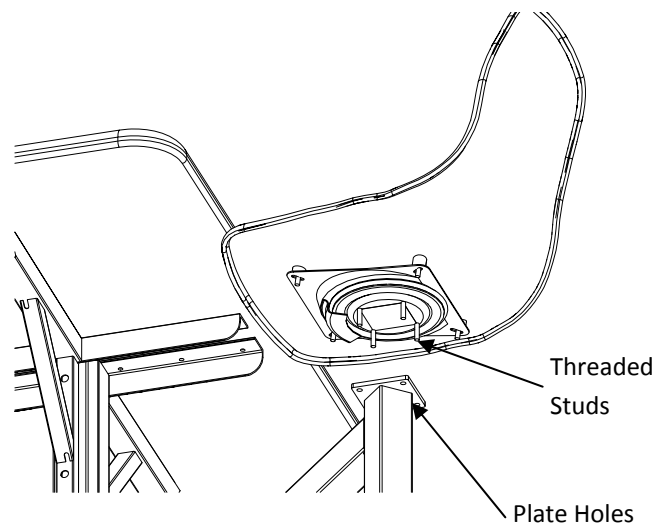
- Rotate glides to point the mounting hole towards the center of the booth.
- With a pencil, mark the hole location on the floor using the holes in the glide.
- Turn the glide away 90 degrees from its current position to expose the mark on the floor.
- Using a hammer drill and a 1/4" masonry bit, drill a 1 1/4" deep hole on the pencil mark.
- Place a plastic anchor in the hole and then rotate glide back so the hole lines up with the plastic anchor in the floor.
- Insert a #10 x 1.0" screw through the hole in the glide and secure into the plastic anchor.



Note: Frames must be anchored to the floor to maintain stability and prevent personal injury.

Step 7: Attach Chair Heads

- Align 4, 1/4" threaded studs on chairhead with the 4 holes in the plate on the top of each leg.
- Fasten the chair head to the frame using 1/4" Washer and 1/4-20 nyloc nut. (Note this hardware is supplied with the chair head)



Step 8: Clean

- Clean and protect top until ready for use.