

Installation Instructions Table Bases – X Series

Product Components:

1. Metal column with table plate
2. Metal pedestal base (foot)
3. #10x1.00" screw (8 each)
4. Table base glides (4 each) or optional 'Table Shox' self-leveling glides

Necessary Tools:

1. Screw or screw gun with #2 Phillips bit
2. Screw driver
3. Tape measure
4. Pencil or marker
5. $\frac{3}{4}$ " box end wrench set or socket

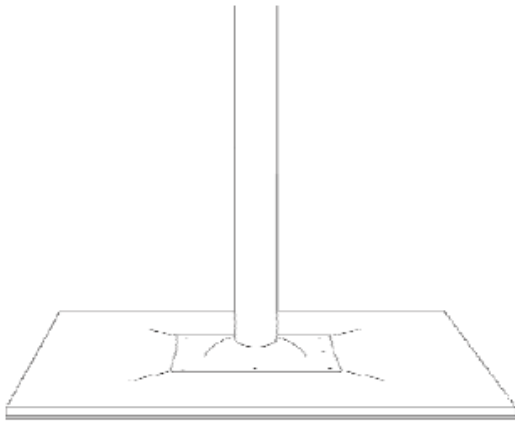
Base Foot Assembly Instructions:

1. Remove bolt from the bottom of the table column with the lock washer & flat washer.
2. Place the base on the table column & attach with flat washer, lock washer & bolt
3. Securely tighten bolt using $\frac{3}{4}$ " box wrench or socket.

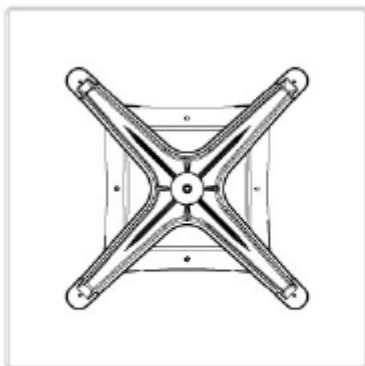
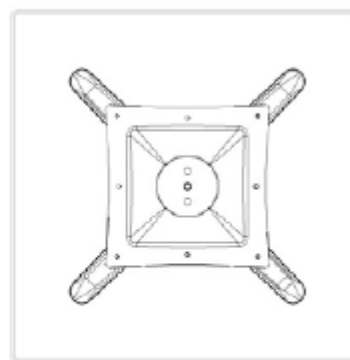


Base to Table Assembly Instructions:

1. Turn table top upside down on floor (protect top with cardboard)
2. Locate center of table top and mark with an "X".
3. Align plate with "X" marked on the bottom of the table top.
4. With a screw gun, attach the complete base assembly to the table top with 8 #10x1.00" screws. One in each of the 8 holes of the table plate.

**Final Assembly Instructions:**

1. Turn table right side up.
2. Orientation of feet/legs of the table base should point towards corners of the table for maximum stability.
3. Position table where you want it.
4. Clean table and cover until ready to use.

**Shown Bottom up****Shown Top Down**