

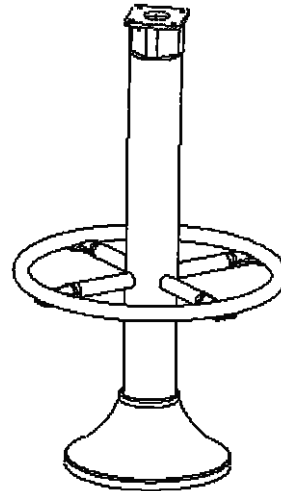
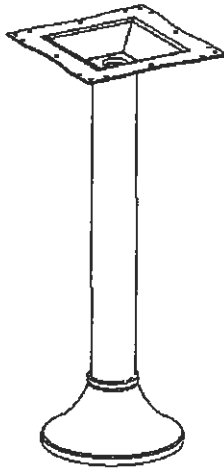


your source for furnishing solutions

INSTALLATION INSTRUCTION

PRODUCT: BOLT-DOWN SEAT & TABLE POSTS

MANUAL: Z000000055



ATTENTION INSTALLERS: PLEASE PRESENT INSTALLATION DOCUMENTS TO FACILITIES MANAGER.

REVISION: A
DATE: 10/25/05

COMPONENT INDEX FOR ASSEMBLY

UNPACKING YOUR SHIPMENT

Unpack and identify each component in each box that you received. If your shipment is missing parts, or too many parts were shipped, please contact Plymold Seating. Phone 507-789-5111

COMPONENTS:

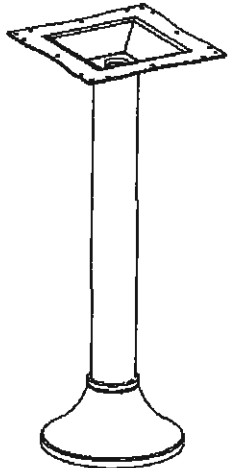


TABLE POST WITHOUT RING

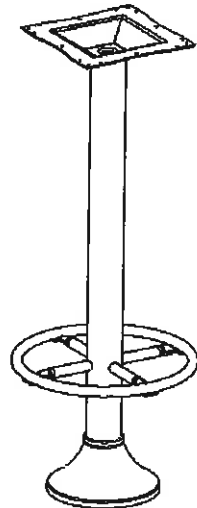
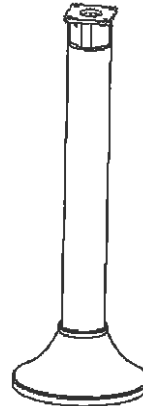
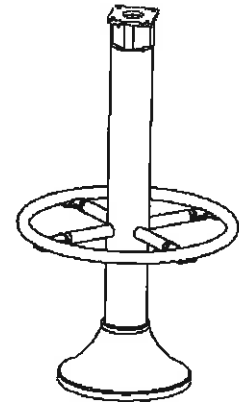


TABLE POST WITH RING



SEAT POST WITHOUT RING



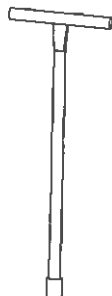
SEAT POST WITH RING

TOOLS REQUIRED:

3/16" WOOD DRILL BIT
 7/16" SOCKET
 5/8" MASONRY BIT
 HAMMER DRILL
 HAMMER
 SHIMS AND WASHERS
 TAPE MEASURE
 PENCIL
 LEVEL



SETTING TOOL



"T" WRENCH



1/2" X 1 1/4"
BOLT



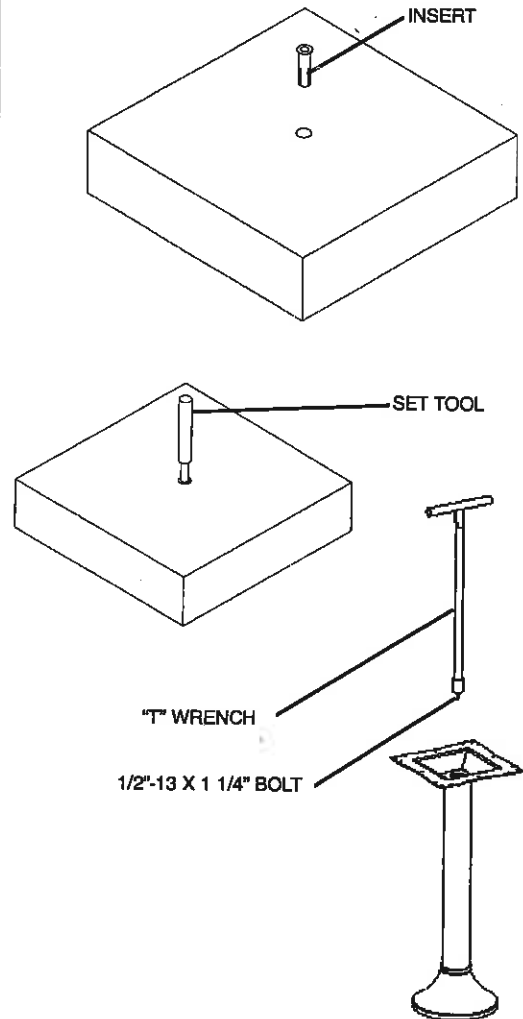
1/4" X 3/4"
LAG BOLT



WASHER

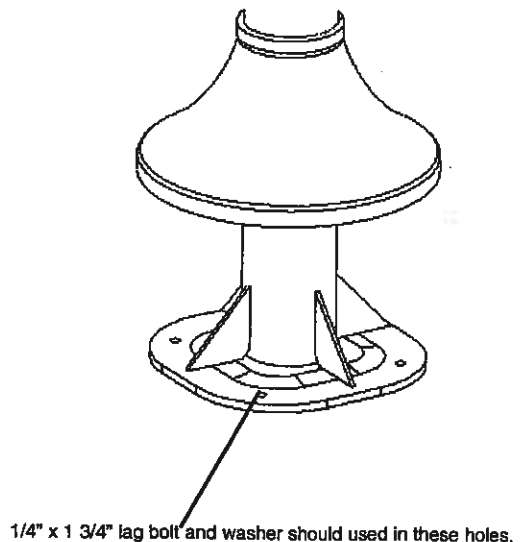
STEP 1: MOUNTING POSTS TO CONCRETE FLOOR

1. Mark the locations of the post centers on to the floor using the dimensions shown on floorplan.
 2. Drill 5/8" diameter, minimum 2" deep hole in the cement in the marked locations.
 3. Blow out the dust from the cement holes.
 4. Place an anchor into each 5/8" diameter hole.
- Note:** The flanges on the top of the anchor should be resting on the cement surface.
5. Insert the setting tool into the anchor and hit it with a hammer until the shoulder of the setting tool contacts the flange on the anchor.
 6. Place the seat or table post over the anchors.
 7. Place a plastic rapper (bag hardware came in) over the 1/2"-13 x 1 1/4" bolt head and insert the socket on the "T" wrench provided.
- Note:** This is to ensure that the bolt will not fall out of the socket during installation.
8. Insert "T" wrench with bolt down the column, through the hole in the base plate and into the floor anchor.
 9. Turn "T" wrench and don't fully tighten bolt.
 10. Ensure that posts are oriented square to the table edge.
 11. Shim posts to level by placing metal washers under the base plate if needed.
 12. After post is oriented and straight tighten bolt firmly.
- Note:** At the installer's discretion, one can add additional holding power in cases where the quality of the concrete is poor by inserting masonry screws through the outer 4 holes of the base plate.



STEP 2: MOUNTING POSTS TO WOODED FLOOR

1. Mark the locations of the post centers on to the floor using the dimensions shown on floorplan.
 2. Center the posts on the marked location and orient as shown, square to the table edge.
 3. Using a pencil, mark the locations of the four outer holes on the wood floor.
 4. Remove the posts and drill a 3/16" diameter by 1 1/2" hole in the wood floor in the locations of the four outer holes.
- Note:** There must be a minimum of 2" of solid wood flooring or this product can not be installed.
5. Place the posts back over the four pre-drilled locations.
 6. Shim to level.
 7. Place a 1/4" (inside diameter) washer over the 1/4" x 1 3/4" long lag bolts and screw them through the clearance holes in the base plate and into the pre-drilled holes in the floor.
- Note:**



STEP #3: CARE

1. Clean furniture and protect unit ready for use.

CARE & CLEANING:

Day to day soil

Remove ordinary dirt and smudges with a mild soap and warm water solution. Rinse with a water dampened cloth. Dry with a soft cloth or towel.

Heavy soiling

Soiling can be removed with the following non-abrasive household cleaners and soft cloth.

Formula 409 All-Purpose Spray Cleaner

Fantastik Spray Cleaner

Other similar household cleaners

Rinse cleaned area with water dampened cloth. Dry with a clean cloth or towel.

For more difficult stains

Dampen soft white cloth with a solution of (10%) household bleach and (90%) water.

Rub gently. Rinse with water dampened cloth to remove bleach concentration.

Please Review Carefully

Should you desire to use other cleaning methods carefully try them in an inconspicuous area to determine potential damage to the material. Never use harsh solvents or cleaners which are intended for industrial applications. To clean stained or soiled areas, a soft white cloth is recommended. Avoid use of paper towels.

PRODUCT WARRANTY

Plymold warrants all products manufactured and/or marketed by Plymold to be free from defects in material and workmanship under normal usage and service for one (1) year from date of purchase unless extended warranties have been established for specific products. The customer assumes responsibility for normal wear and tear.

This Warranty Agreement excludes all products or component parts that, in the opinion of Plymold, have been subjected to negligent use, misuse, alteration, accident or improper installation. Plymold reserves the right to make design changes, improve design or change specifications at any time without any contingent obligation to owners of products previously sold.

Plymold shall not be held responsible by customer or potential customers for failure to perform any of the obligations of this Warranty Agreement if such failures are the result of circumstances of Force Majeure such as, but not limited to floods, earthquakes, transportation strikes, labor disputes with any outside suppliers, or any other conditions beyond the control of Plymold.



615 Centennial Drive Kenyon, MN 55946
Phone 507-789-5111, 800-PLYMOLD (759-6653) Fax: 507-789-8315
Email: seating@plymold.com www.plymold.com