

Installation Manual

# Contour

Wall Style Adjustable

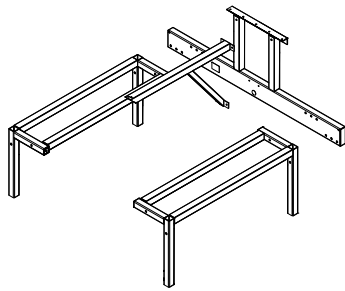
Z000000201

Revised 01/30/2017

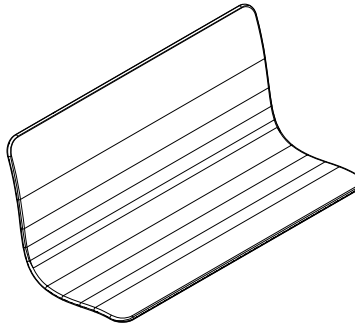
# Unpacking Your Shipment

Unpack and identify each component in each box that you received. If your shipment is missing parts, or too many parts were shipped, please contact Plymold.

## Components



ADJUSTABLE WALL STYLE FRAME



CONTOUR SEAT

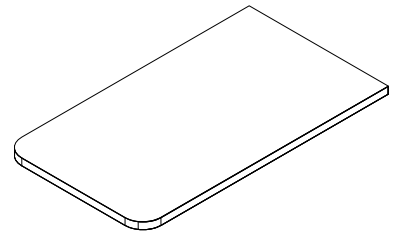
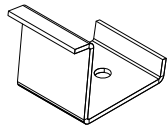
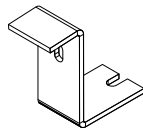


TABLE TOP

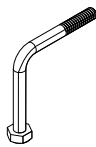
### P85683 KD HARWARE KIT INCLUDES HARDWARE BELOW SINGLE SEAT HARDWARE



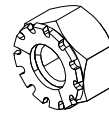
REAR SEAT HOOK



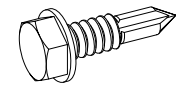
FRONT SEAT HOOK



1/4-20 ELBOW BOLT

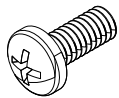


KEP NUT 1/4-20

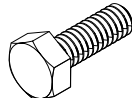


OTHER HARDWARE  
TEK SCREW #10 x 1"

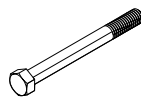
### FRAME HARDWARE



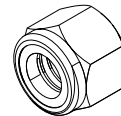
MACHINE SCREW  
1/4-20 x 5/8"



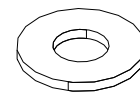
HEX HEAD CAP SCREW 1/4-20 x 3/4"



HEX HEAD CAP SCREW 3/8-16 x 3 3/4"

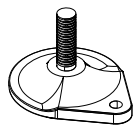


Nylon Insert Lock Nut 3/8-16



WASHER 3/8"

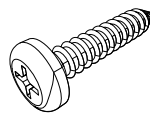
### FLOOR AND TABLE HARDWARE



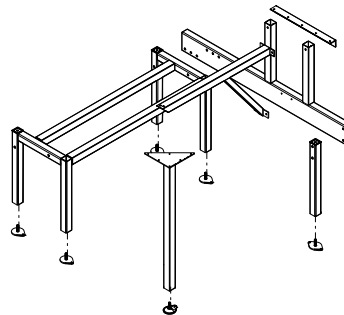
ADJUSTABLE PLASTIC GLIDE (A)



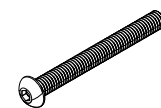
PLASTEC FLOOR ANCHOR



SCREW #10 X 1"



WALL STYLE ADA FRAME



Cap Screw Button Head  
3/8-16 x 3-1/2"  
(ADA FRAME ONLY)

## Tools Required



Screw Gun w/#2 PHILLIPS Bit



Pencil or Marker



Hammer Drill



4" Bit



Screw Driver



Ratchet , 5/16", 7/16" & 9/16" Socket and Open End Wrench



Level



Tape Measure

## Assembly

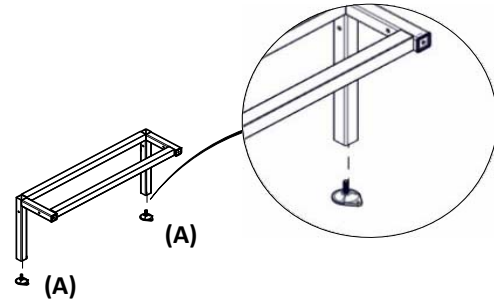
Adjustable Wall Style Frame - Begin on Page 4

ADA Adjustable Wall Style Frame - Begin on Page 5

# Assembly

## Step 1: Glide Assembly - Adjustable Wall Style Frame

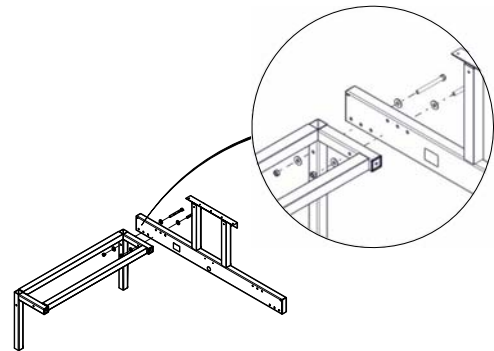
- a. Assemble a thread-in glide into the insert in each of the four (4) legs.



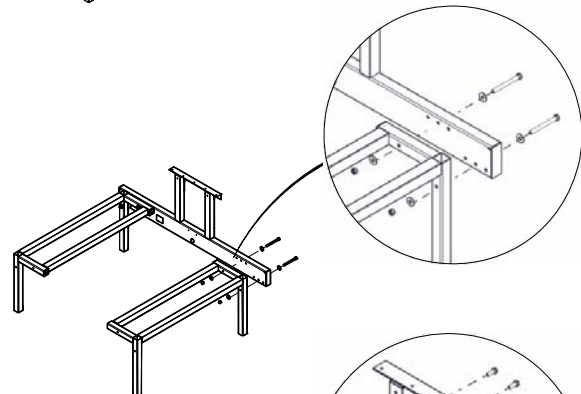
## Step 2: Frame Assembly

- a. Using 3/8"-16 x 3 3/4" hex head cap screw, 3/8-16 lock nut and 3/8" washers, assemble the seat support leg to the main support frame.

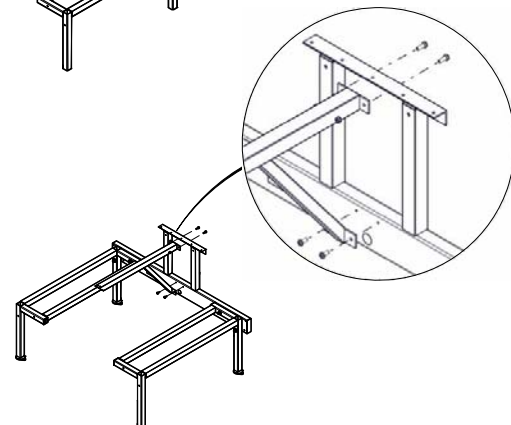
**Note: Center holes are for 24" wide top spacing.**



- b. Repeat step a with the second seat support leg.



- c. Attach the cantilever to the main support frame using 1/4-20 x 5/8" machine screws on the bottom. Use the 1/4-20 x 3/4" hex head cap screws with a 1/4-20 kep nut on the top.

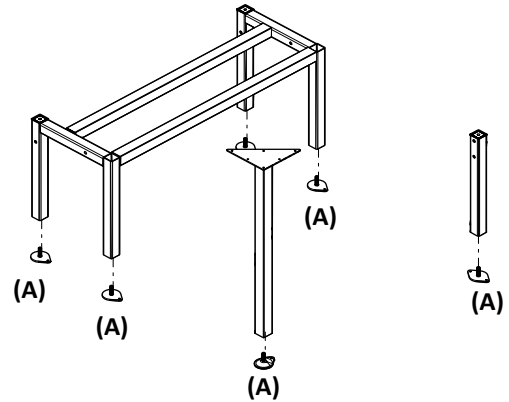


Continue on Page 6

# Assembly

## Step 1: Glide Assembly - ADA Wall Style Frame

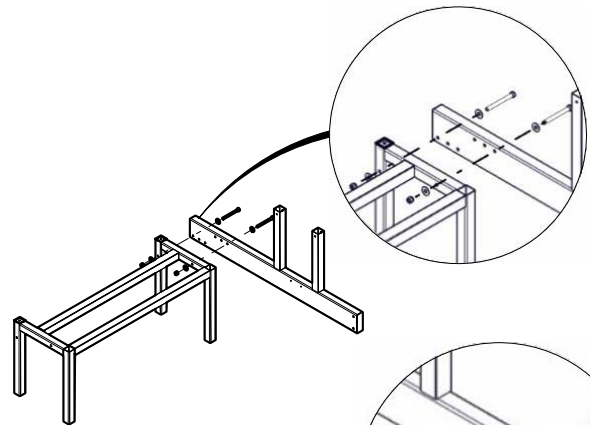
- a. Assemble a thread-in glide into the insert in each of the four (6) legs.



## Step 2: Frame Assembly

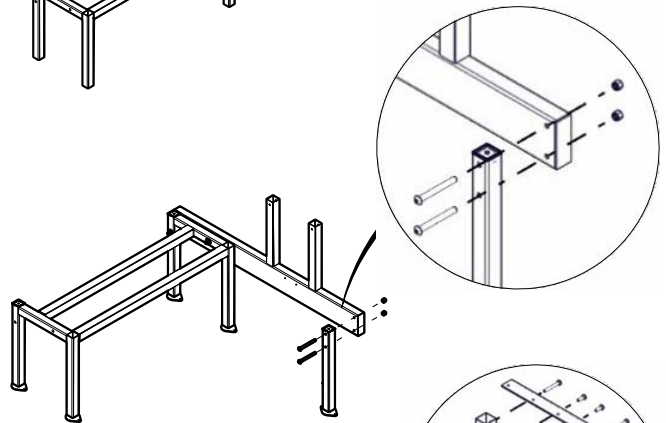
- a. Using 3/8"-16 x 3 3/4" hex head cap screw, 3/8-16 Lock Nut and 3/8" washers, assemble the seat support leg to the main support frame.

**Note: Use outside holes, no adjustment.**

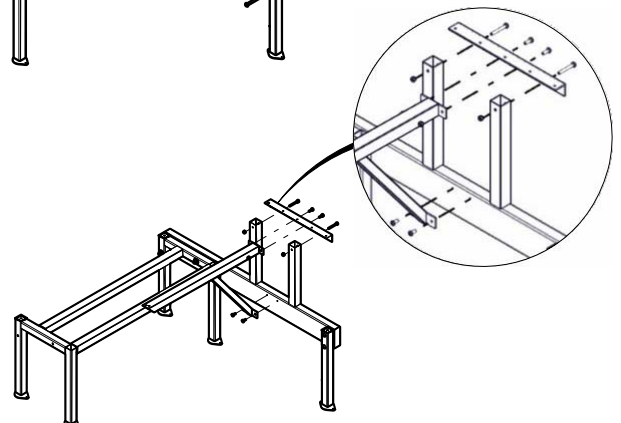


- b. Attach support leg using 3/8-16 x 3-1/2" cap screw button head and 3/4-16 lock nuts.

**Note: Place button head on inside of leg.**



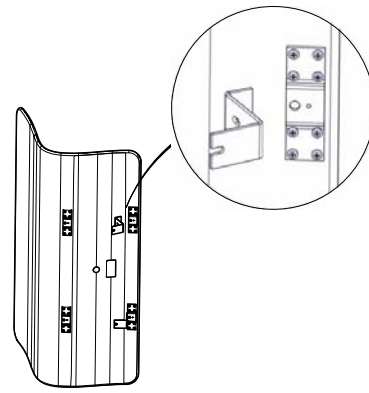
- c. Attach table angle to main support using 1/4-20 x 2.0" hex head screws and 1/4-20 kep nut. Attach cantilever to main support using 1/4-20 x 5/8" machine screws on the bottom and 1/4-20 x 3/4" hex head cap screws with a 1/4-20 kep nut on the top.



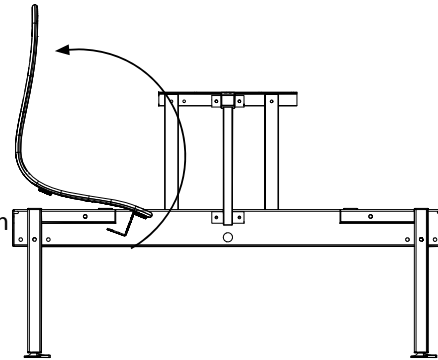
# Assembly

## Step 3: Assemble Seat to Frame

- Locate single seat hardware kit.
- Position seat on end and insert front hooks.

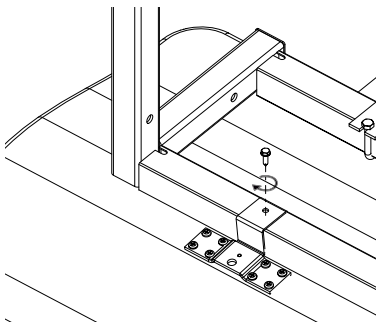
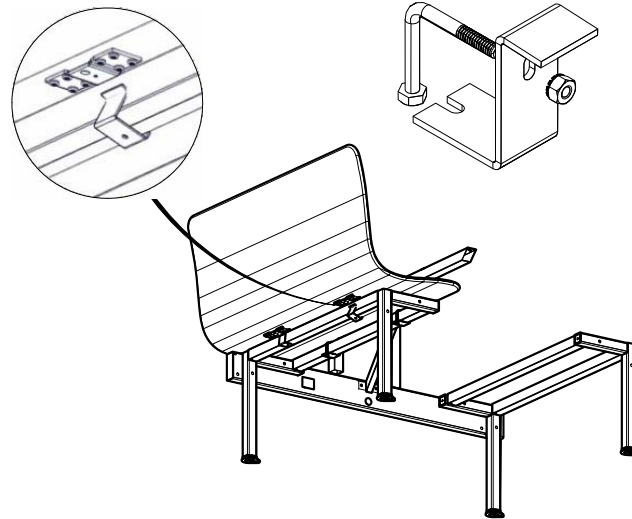
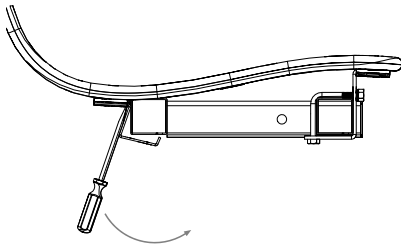


- Position the seat over the frame by tipping the edge of the seat forward and pulling the seat into place.



- Attach elbow bolts to front seat hooks and hand tighten 1/4-20 kep nut.

- Insert short tongue of rear seat hook into the seat plate. Using a flathead screwdriver pry rear seat hook until it pops into place.

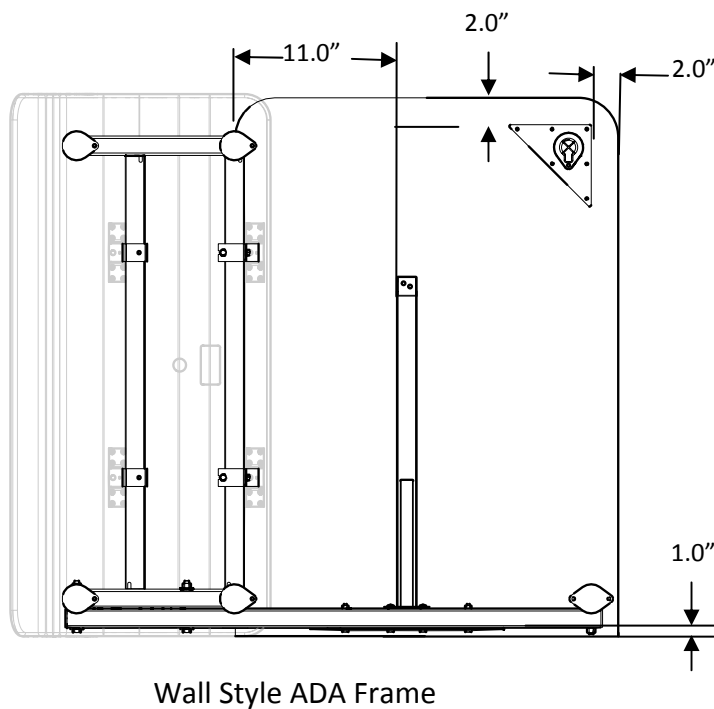
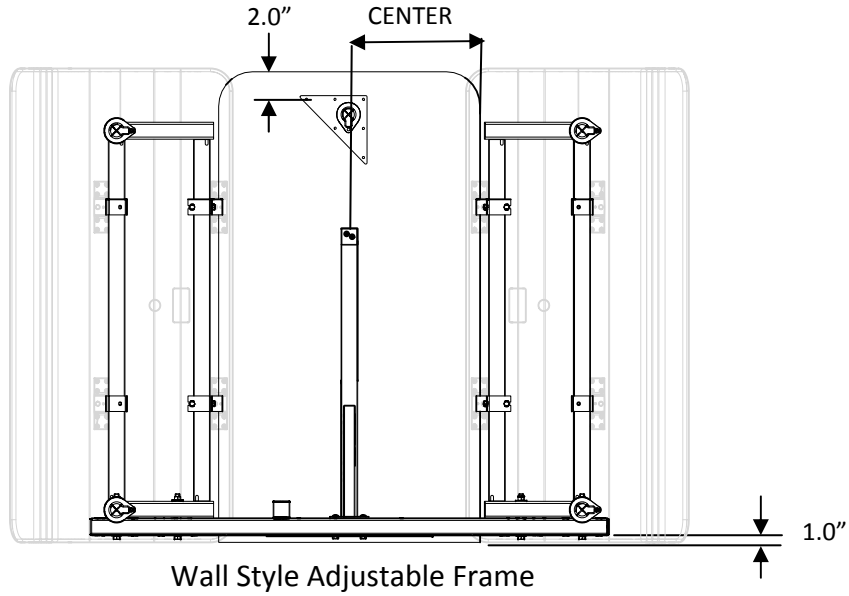


- Now that the seat is installed, insert a self-drilling screw into the hole in the rear seat hook. One screw for each rear seat hook. Do not over tighten.

# Assembly

## Step 4: Installing Table Top

- Place the table top on the cantilever frame.
- Position table per drawings below.
- Secure the table top from moving while fastening, using (6) #10 x 1.0" screws.



# Assembly

## Step 5: Installing Vertical Table Leg

- a. Assemble a plastic thread-in glide into insert if not already done.
- b. Position table per drawings above.
- c. Secure the table top using (6) #10 x 1.0" screws.

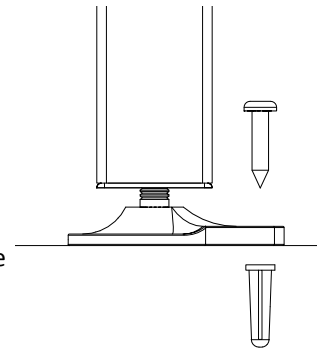
**Note: Vertical Table leg required on tops longer than 48" and ADA tops.**

## Step 6: Position and Level Booth

- a. Confirm location of booth/frames with the floor plan.
- b. Level booth by adjusting glides.

## Step 7: Fasten Glides to Floor

- a. Rotate glides to point the mounting hole towards the center of the booth.
- b. With a pencil, mark the hole location on the floor using the holes in the glide.
- c. Turn the glide away 90 degrees from its current position to expose the mark on the floor.
- d. Using a hammer drill and a 1/4" masonry bit, drill a 1 1/4" deep hole on the pencil mark.
- e. Place a plastic anchor in the hole and then rotate glide back so the hole lines up with the plastic anchor in the floor.
- f. Insert a #10 x 1.0" screw through the hole in the glide and secure into the plastic anchor.



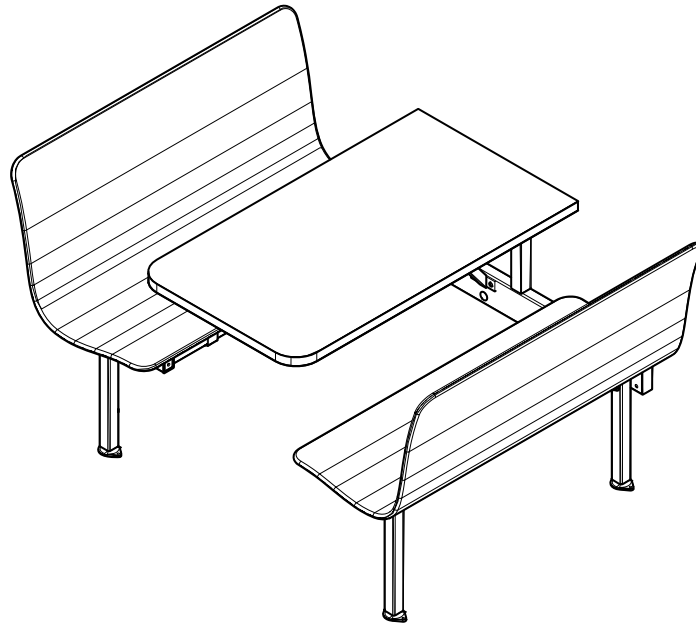
**Note: Frames must be anchored to the floor to maintain stability and prevent personal injury.**



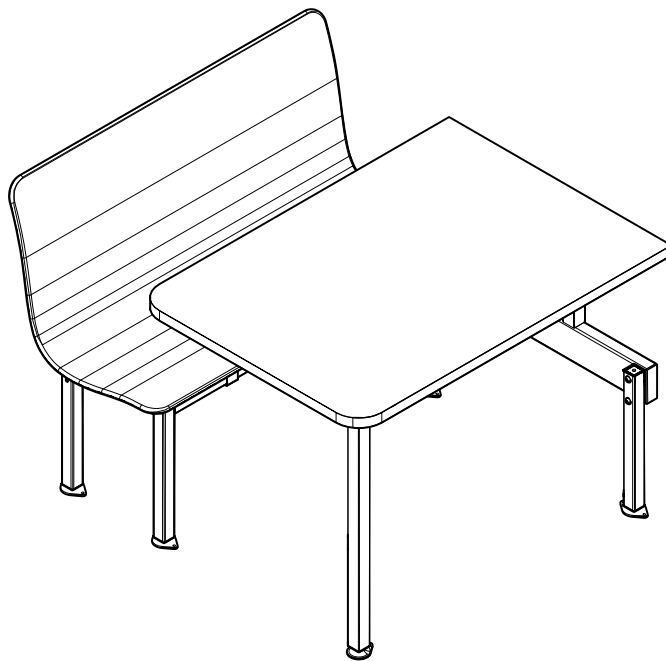
# Assembly

## Step 8: Care.

- a. Clean furniture and protect unit until ready for use.



Wall Style Adjustable Frame Contour Booth



ADA Wall Style Adjustable Frame Contour Booth