

Installation Manual

Communal Table

'A' and 'H' Frame

Z000000471

Revised 7/20/18

Address 14400 Southcross Drive West
Burnsville, Minnesota 55306

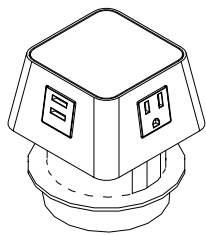
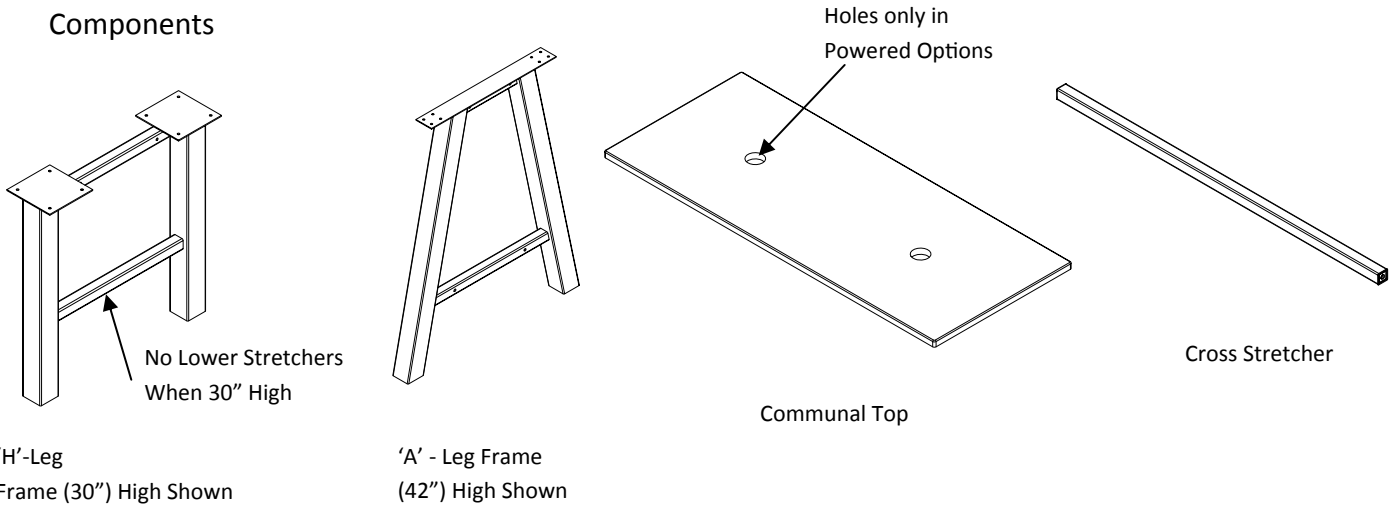
Web Plymold.com
Phone 800.PLYMOLD

 **Plymold**
a division of Foldcraft

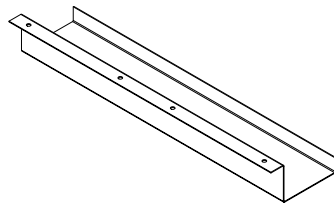
Unpacking Your Shipment

Unpack and identify each component in each box that you received.

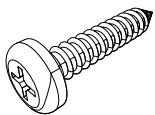
Components



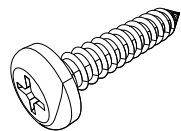
Moire Receptacle



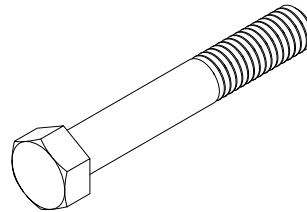
Wire Chase



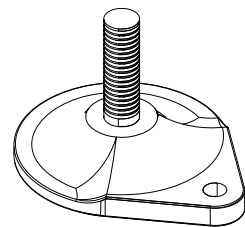
#10x 3/4" Screw



#10x1" Screw



Hex Head Cap Screw 3/8-16 x 2.5



Teardrop Glide

Tools Required



Screw Gun w/#2 PHILLIPS Bit or Screw Driver

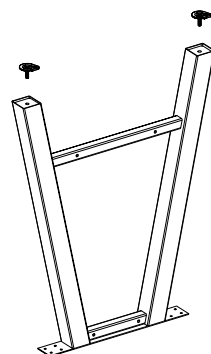


9/16" SOCKET, RATCHET OR 9/16" OPEN END WRENCH

Assembly

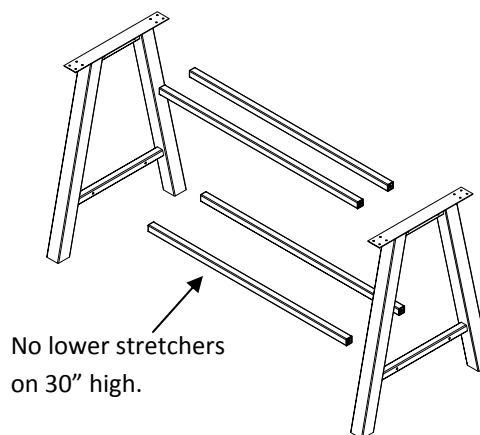
Step 1: Glide Assembly

- a. Assemble thread-in glide into the insert, in each of the four (4) legs.



Step 2: Frame Assembly

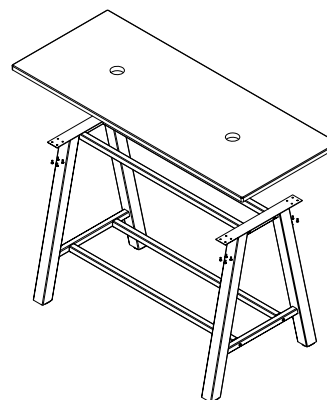
- a. Un-thread the 3/8"-16 x 2.5 hex head cap screw from the cross stretchers. Use them to assemble the legs to the cross stretchers.



Step 3: Attach Frame to Top

- a. Center the frame under the top before attaching. Make sure the frame is square to the top. Then using #10 x 1 screws attach the frame to the underside of the top.

NOTE: On solid wood tops it recommend to predrill with 1/8" drill bit to avoid the top cracking/splitting.

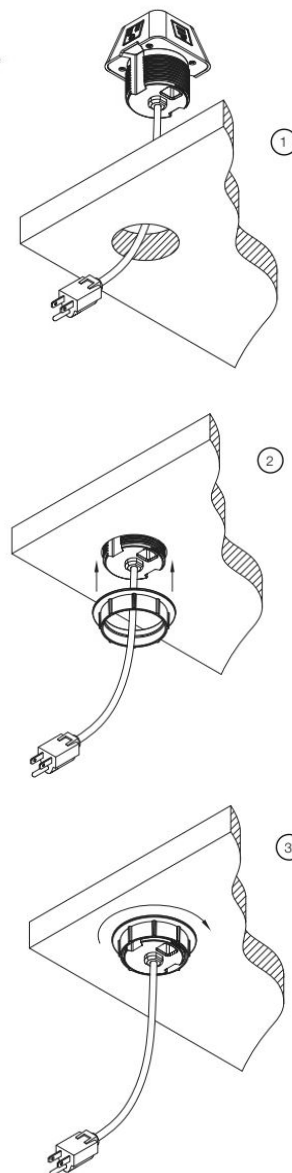
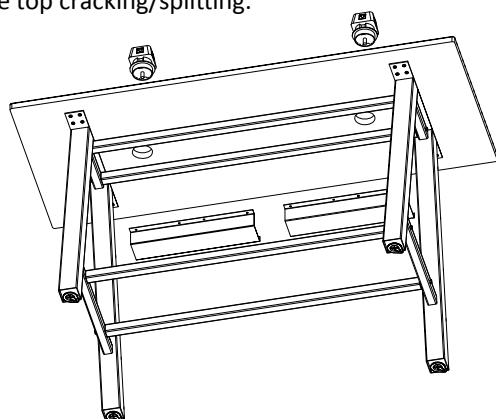


Assembly

Step 4: Add Power/ USB (OPTIONAL)

- Start with Link 1 on the end of the counter, nearest your power source.
- Slide the cords through the opening . Secure power in place using images on the right as a guide.
- Repeat step b. with your remaining links .
- From below the top secure your wire chases to the underside of the top using #10 x 0.75" pan head screws. Wire chase will go between the 2 upper stretchers center on the power unit. Hide all cords up inside the wire chase box.

NOTE: On solid wood tops it recommend to predrill with 1/8" drill bit to avoid the top cracking/splitting.



Step 5: Locate and Clean

- Place communal table in desired location.
- Clean and protect top until ready for use.

