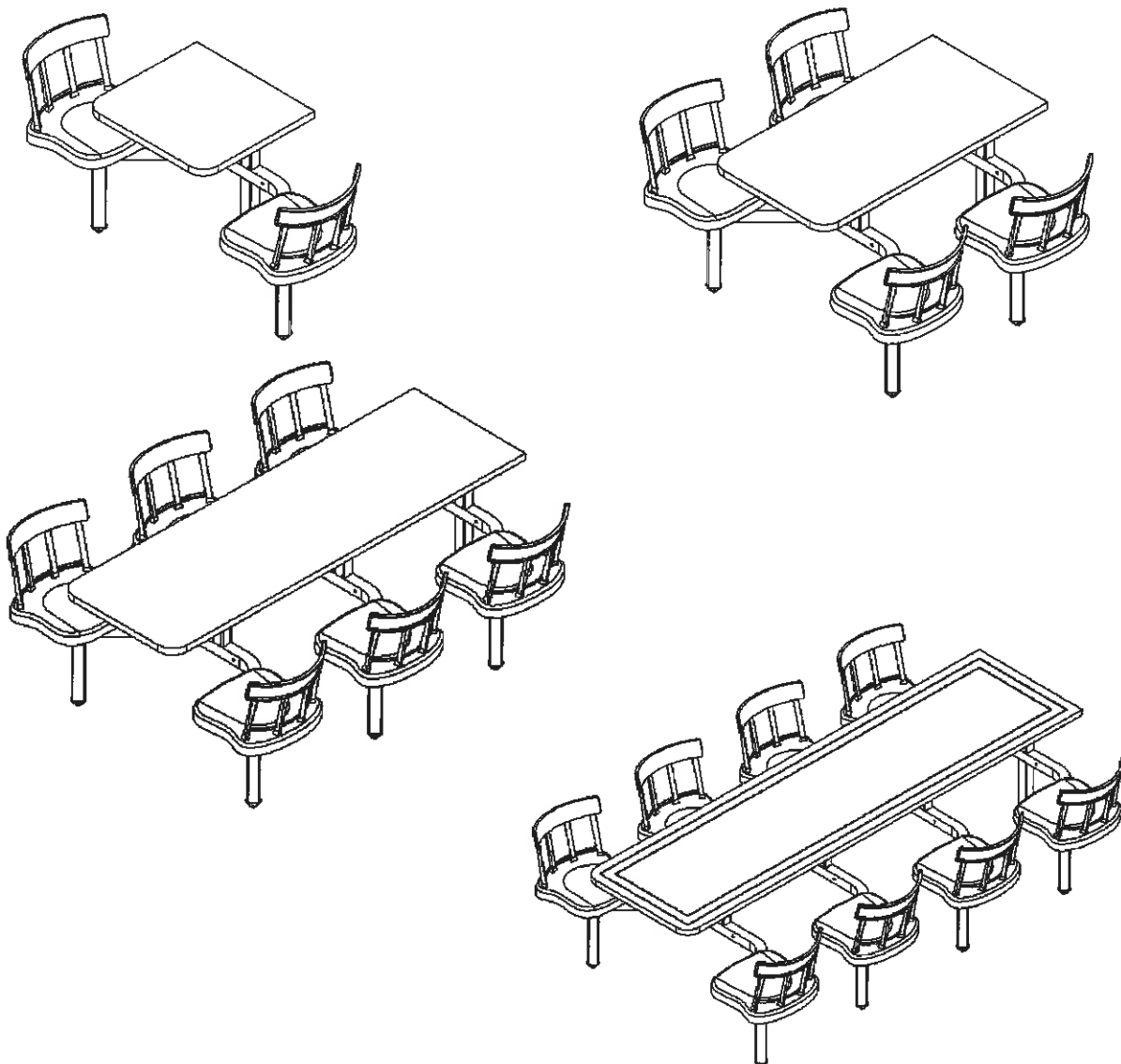




your source for furnishing solutions

INSTALLATION INSTRUCTION

PRODUCT: CEBRA WALL CLUSTER FRAMES
MANUAL: Z00000081



ATTENTION INSTALLERS: PLEASE PRESENT INSTALLATION DOCUMENTS TO FACILITIES MANAGER.

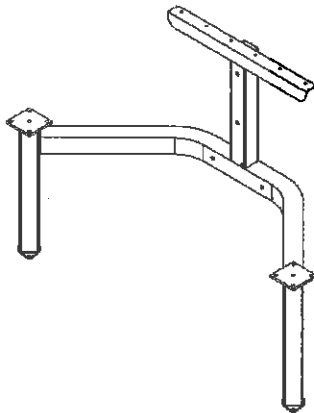
REVISION: B
DATE: 9/25/06

COMPONENT INDEX FOR ASSEMBLY

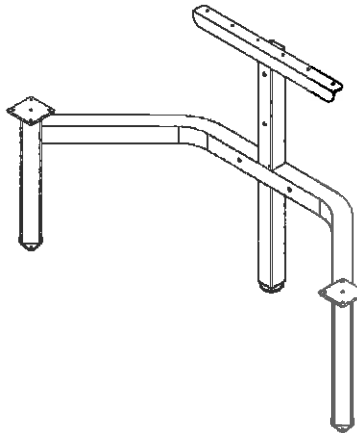
UNPACKING YOUR SHIPMENT

Unpack and identify each component in each box that you received. If your shipment is missing parts, or too many parts were shipped, please contact Plymold Seating. Phone 507-789-5111

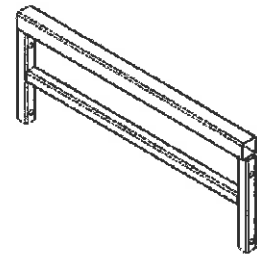
COMPONENTS:



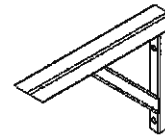
CEBRA FRAME



CEBRA WALL FRAME



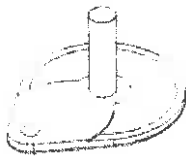
CEBRA COUPLING



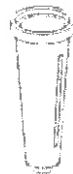
CEBRA CANTILEVER

TOOLS REQUIRED:

SCREW GUN W#2 PHILLIPS BIT
SCREW DRIVER
TAPE MEASURE
PENCIL OR MARKER
WRENCH SET
7/16" SOCKET AND OPEN END WRENCH



**ADJUSTABLE
GLIDE**



FLOOR ANCHOR



#10X1.00"

**3/8-16 X 3 1/2"
BOLT**

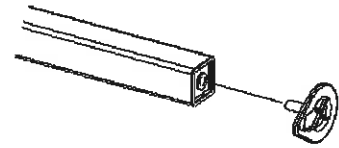
**3/8-16 X 4 1/2"
BOLT**



**3/8" ACORN
NUT**

STEP 1: GLIDE ASSEMBLY

1. Screw the thread in glide into the insert in each of the four (4) legs.



GLIDE DETAIL

STEP 2: STARTING WALL STYLE FRAME ASSEMBLY

1. Position a three leg frame and a coupling assembly together as shown. (fig.1)
2. Secure with (2) 3/8" x 3 1/2" bolts and 3/8" acorn nuts.

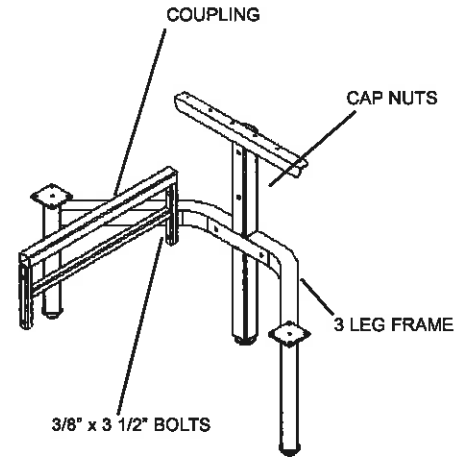


fig. 1

STEP #3 JOINING WALL STYLE FRAMES

1. Secure the two leg frame, cantilever, and coupling using (2) 3/8" X 4 1/2" bolts and nuts. (fig.1)
2. Place a two leg frame up to a coupling and assemble together using (2) 3/8" x 3 1/2" bolts and nuts. (fig.2)

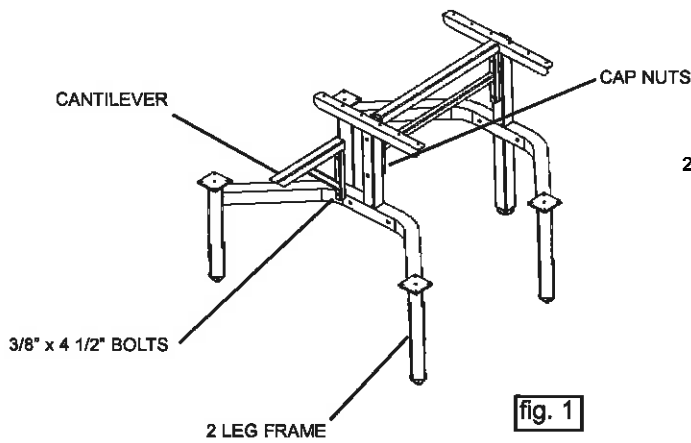


fig. 1

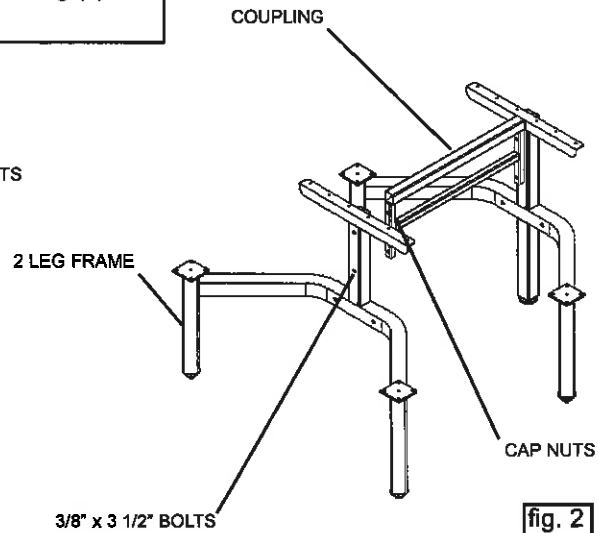
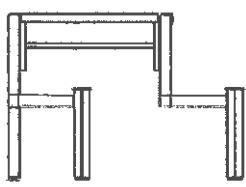
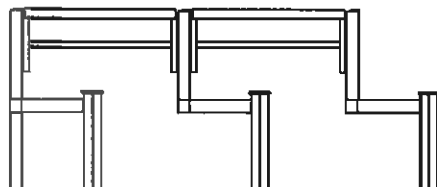


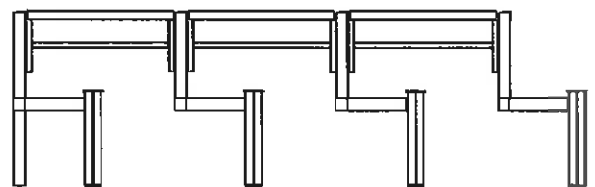
fig. 2



4-SEATER



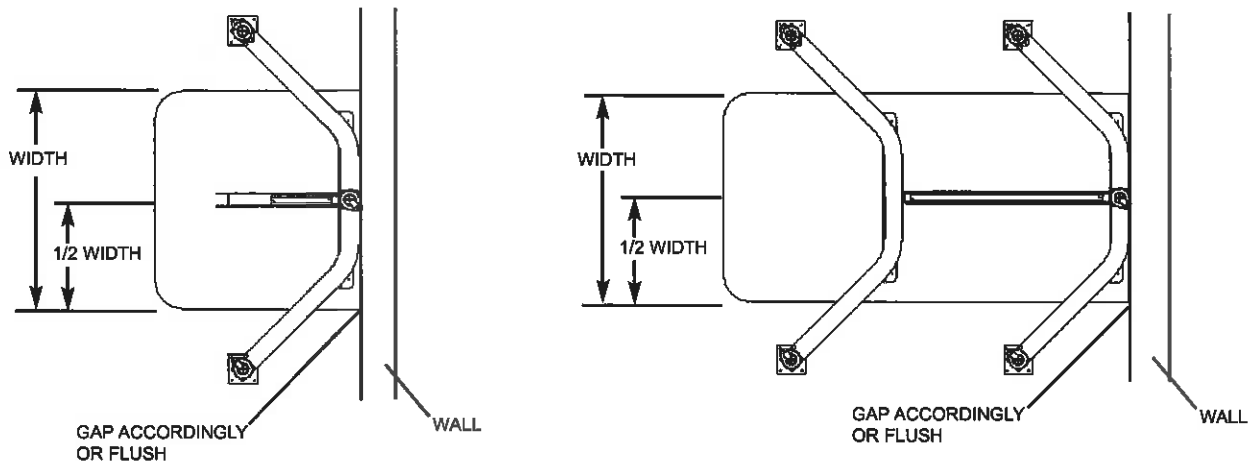
6-SEATER



8-SEATER

STEP #4 FASTENING WALL STYLE TO WALL & TOP

1. Place tabletop on the frame and locate assown below.
2. Secure the top to the frame with #10 x 1.00" screws.



STEP #5 FASTENING GLIDES TO FLOOR

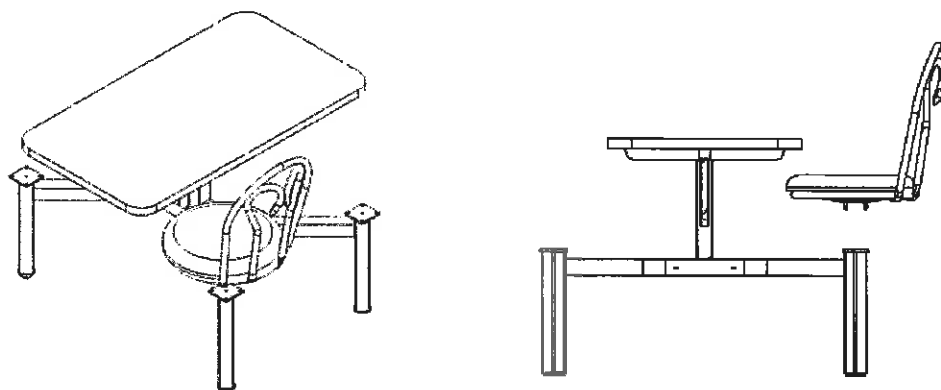
1. Rotate glides so that the mounting hole is pointing towards the center of the booth.
2. With a pencil, mark the hole location on the floor using the holes in the glide.
3. Turn the glide away 90 degrees from its current position to expose the mark on the floor.
4. Using a hammer drill and a 1/4" masonry bit, drill a 1 1/4" deep hole on the pencil mark.
5. Place a plastic anchor in the hole and then rotate glide back so its hole lines up with the plastic anchor in the floor.
6. Insert a #10 x 1.00" screw through the hole in the glide and secure into the plastic anchor.

NOTE: Frames must be anchored to the floor to maintain stability and prevent personal injury.



STEP #6: FASTENING CHAIRHEADS TO FRAME

1. Place chairhead onto frame by locating the four studs on the chairhead and inserting the studs into the the holes on the plates.
2. Secure the chairhead to the frame usong 1/4"-20 nyloc nuts.
3. Tighten chairhead using a 7/16" wrench.



STEP #7: CARE

1. Clean furniture and protect unit ready for use.

CARE & CLEANING:

Day to day soil

Remove ordinary dirt and smudges with a mild soap and warm water solution. Rinse with a water dampened cloth. Dry with a soft cloth or towel.

Heavy soiling

Soiling can be removed with the following non-abrasive household cleaners and soft cloth.

- Formula 409 All-Purpose Spray Cleaner
- Fantastik Spray Cleaner
- Other similar household cleaners

Rinse cleaned area with water dampened cloth. Dry with a clean cloth or towel.

For more difficult stains

Dampen soft white cloth with a solution of (10%) household bleach and (90%) water. Rub gently. Rinse with water dampened cloth to remove bleach concentration.

Please Review Carefully

Should you desire to use other cleaning methods carefully try them in an inconspicuous area to determine potential damage to the material. Never use harsh solvents or cleaners which are intended for industrial applications. To clean stained or soiled areas, a soft white cloth is recommended. Avoid use of paper towels.

PRODUCT WARRANTY

Plymold warrants all products manufactured and/or marketed by Plymold to be free from defects in material and workmanship under normal usage and service for one (1) year from date of purchase unless extended warranties have been established for specific products. The customer assumes responsibility for normal wear and tear.

This Warranty Agreement excludes all products or component parts that, in the opinion of Plymold, have been subjected to negligent use, misuse, alteration, accident or improper installation. Plymold reserves the right to make design changes, improve design or change specifications at any time without any contingent obligation to owners of products previously sold.

Plymold shall not be held responsible by customer or potential customers for failure to perform any of the obligations of this Warranty Agreement if such failures are the result of circumstances of Force Majeure such as, but not limited to floods, earthquakes, transportation strikes, labor disputes with any outside suppliers, or any other conditions beyond the control of Plymold.



615 Centennial Drive Kenyon, MN 55946
Phone 507-789-5111, 800-PLYMOLD (759-6653) Fax: 507-789-8315
Email: seating@plymold.com www.plymold.com