

Installation Manual

Contour

Wall Style Adjustable

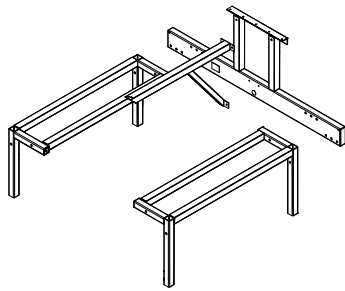
Z000000201

Revised 04 17 2015

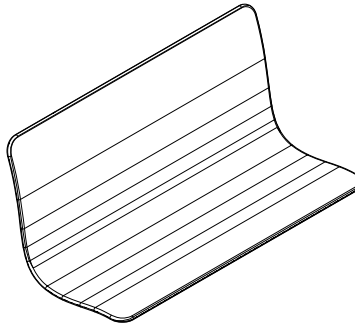
Unpacking Your Shipment

Unpack and identify each component in each box that you received. If your shipment is missing parts, or too many parts were shipped, please contact Plymold.

Components



ADJUSTABLE WALL STYLE FRAME



CONTOUR SEAT

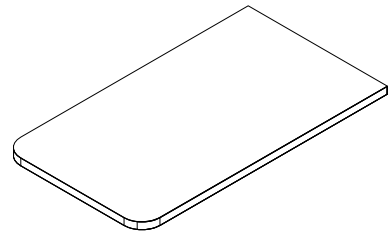
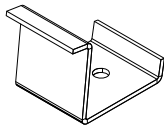
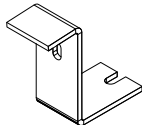


TABLE TOP

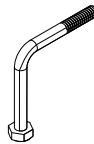
SINGLE SEAT HARDWARE



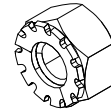
REAR SEAT HOOK



FRONT SEAT HOOK

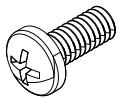


1/4—20 ELBO BOLT

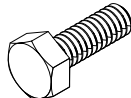


KEP NUT 1/4-20

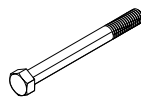
FRAME HARDWARE



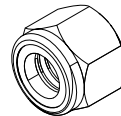
MACHINE SCREW
1/4-20 x 5/8"



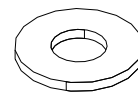
HEX HEAD CAP SCREW 1/4-
20 x 3/4"



HEX HEAD CAP SCREW 3/8-
16 x 3 3/4"

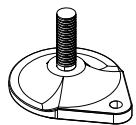


Nylon Insert Lock
Nut 3/8-16



WASHER 3/8"

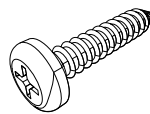
FLOOR AND TABLE HARDWARE



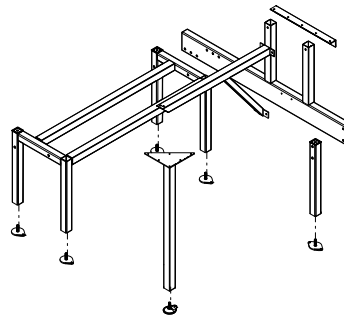
ADJUSTABLE PLASTIC
GLIDE (A)



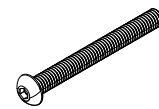
PLASTEC FLOOR ANCHOR



SCREW #10 X 1"



WALL STYLE ADA FRAME



Cap Screw Button Head
3/8-16 x 3-1/2"
(ADA FRAME ONLY)

Tools Required



Screw Gun w/#2 PHILLIPS Bit



Pencil or Marker



Hammer Drill



4" Bit



Screw Driver



7/16" Socket



7/16" Ratchet and Open End Wrench



Level



Tape Measure

Assembly

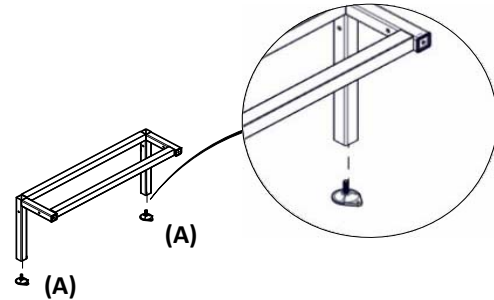
Adjustable Wall Style Frame - Begin on Page 4

ADA Adjustable Wall Style Frame - Begin on Page 5

Assembly

Step 1: Glide Assembly - Adjustable Wall Style Frame

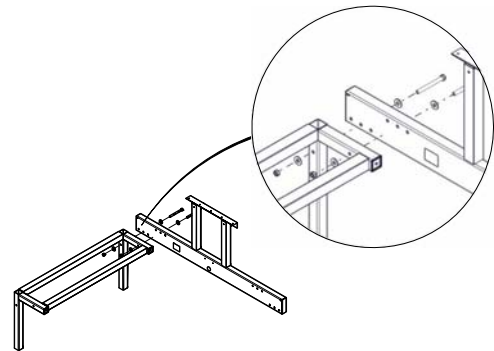
- a. Assemble a thread-in glide into the insert in each of the four (4) legs.



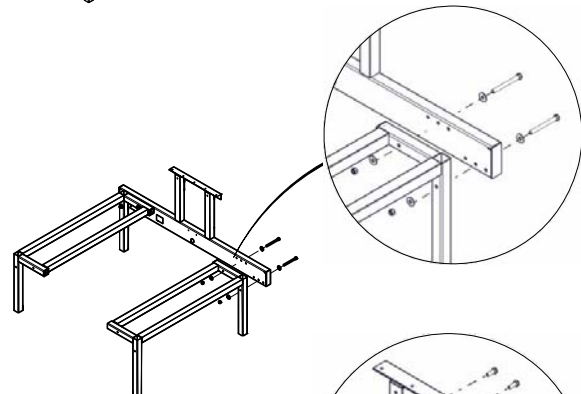
Step 2: Frame Assembly

- a. Using 3/8"-16 x 3 3/4" hex head cap screw, 3/8-16 lock nut and 3/8" washers, assemble the seat support leg to the main support frame.

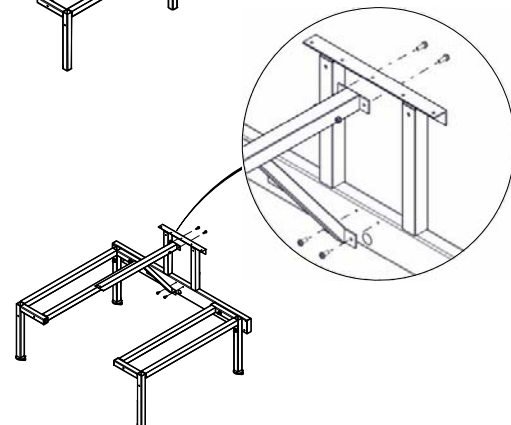
Note: Center holes are for 24" wide top spacing.



- b. Repeat step a with the second seat support leg.



- c. Attach the cantilever to the main support frame using 1/4-20 x 5/8" machine screws on the bottom. Use the 1/4-20 x 3/4" hex head cap screws with a 1/4-20 kep nut on the bottom.

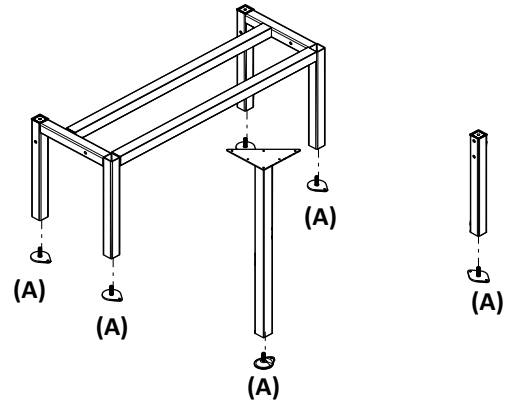


Continue on Page 6

Assembly

Step 1: Glide Assembly - ADA Wall Style Frame

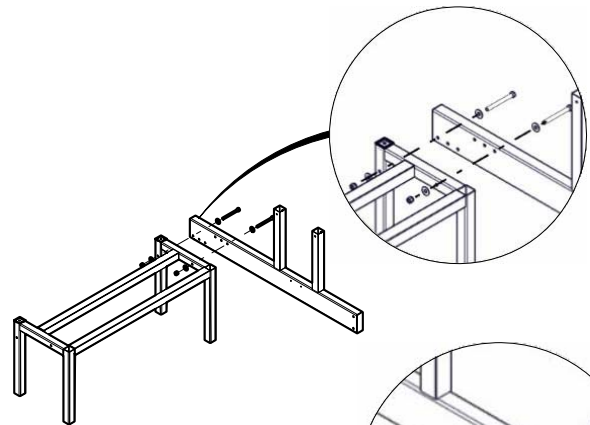
- a. Assemble a thread-in glide into the insert in each of the four (6) legs.



Step 2: Frame Assembly

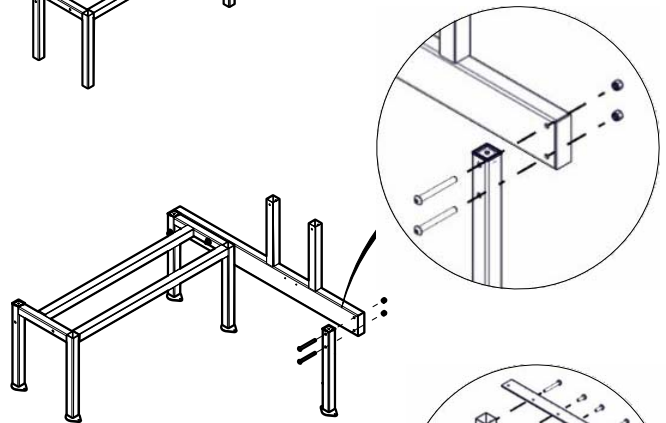
- a. Using 3/8"-16 x 3 3/4" hex head cap screw, 3/8-16 Lock Nut and 3/8" washers, assemble the seat support leg to the main support frame.

Note: Use outside holes, no adjustment.

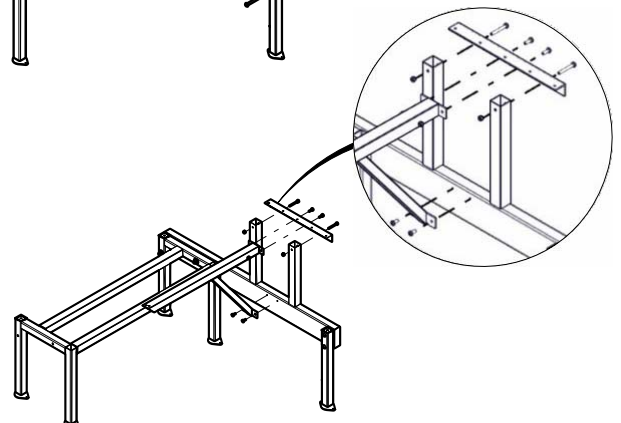


- b. Attach support leg using 3/8-16 x 3-1/2" cap screw button head and 3/4-16 lock nuts.

Note: Place button head on inside of leg.



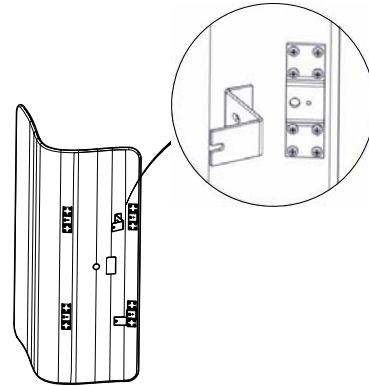
- c. Attach table angle to main support using 1/4-20 x 2.0" hex head screws and 1/4-20 kep nut. Attach cantilever to main support using 1/4-20 x 5/8" machine screws on the bottom and 1/4-20 x 3/4" hex head cap screws with a 1/4-20 kep nut on the top.



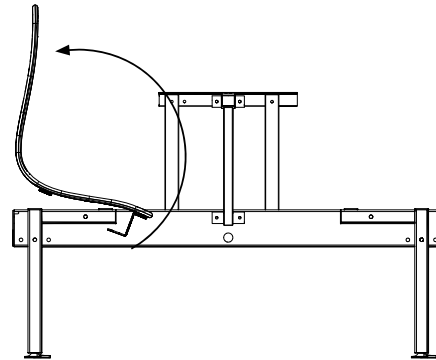
Assembly

Step 3: Assemble Seat to Frame

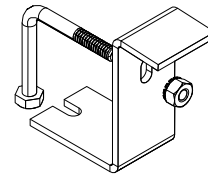
- a. Locate single seat hardware kit.
- b. Position seat on end and insert front hooks.



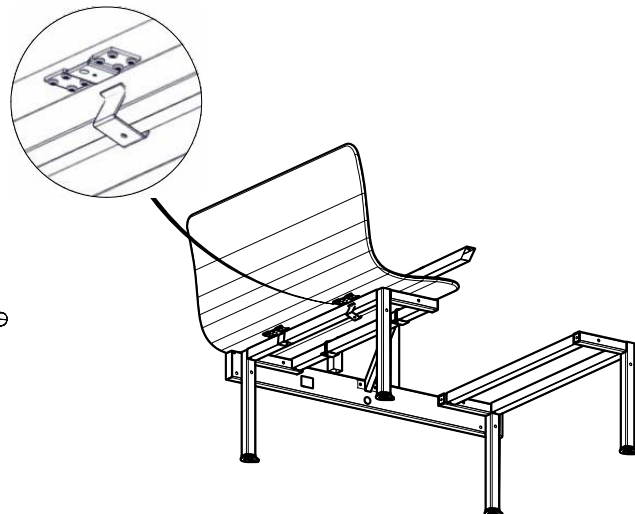
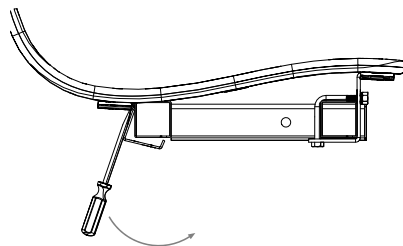
- c. Position the seat over the frame by tipping the edge of the seat forward and pulling the seat into place.



- d. Attach elbow bolts to front seat hooks and hand tighten 1/4-20 kep nut.



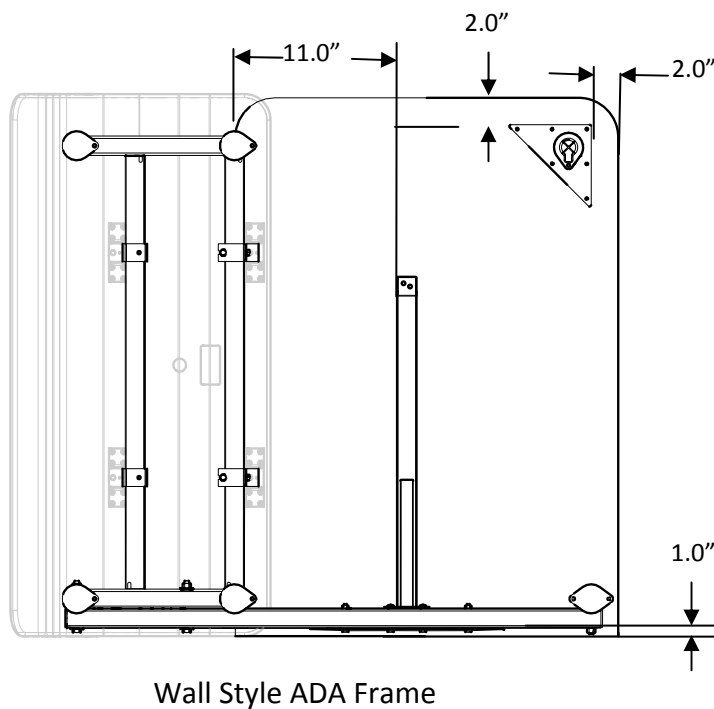
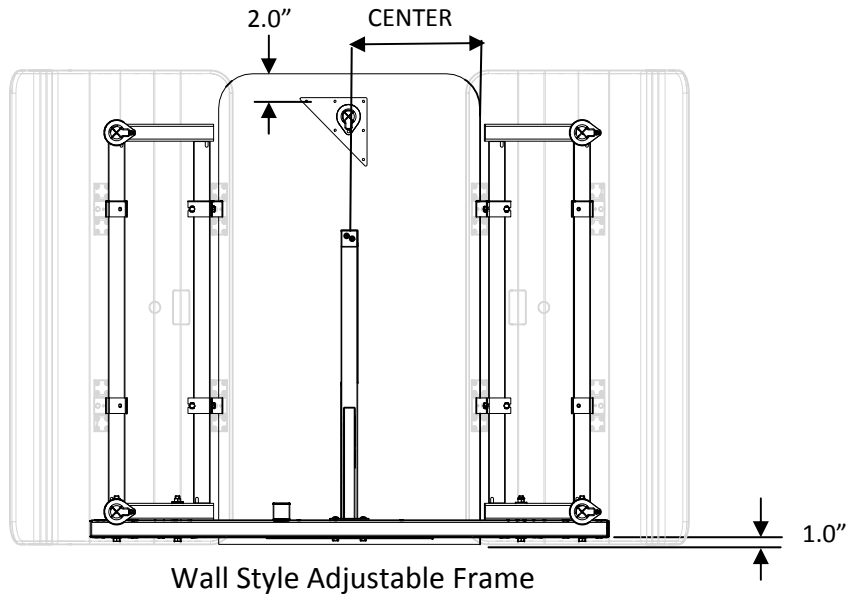
- e. Insert short tongue of rear seat hook into the seat plate. Using a flathead screwdriver pry rear seat hook until it pops into



Assembly

Step 4: Installing Table Top

- Place the table top on the cantilever frame.
- Position table per drawings below.
- Secure the table top from moving while fastening, using (6) #10 x 1.0" screws.



Assembly

Step 5: Installing Vertical Table Leg

- a. Assemble a plastic thread-in glide into insert if not already done.
- b. Position table per drawings above.
- c. Secure the table top using (6) #10 x 1.0" screws.

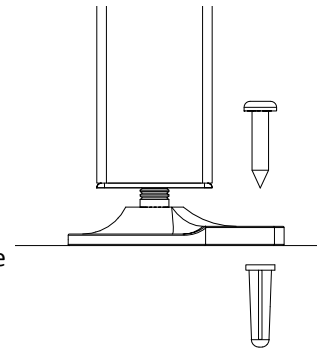
Note: Vertical Table leg required on tops longer than 48" and ADA tops.

Step 6: Position and Level Booth

- a. Confirm location of booth/frames with the floor plan.
- b. Level booth by adjusting glides.

Step 7: Fasten Glides to Floor

- a. Rotate glides to point the mounting hole towards the center of the booth.
- b. With a pencil, mark the hole location on the floor using the holes in the glide.
- c. Turn the glide away 90 degrees from its current position to expose the mark on the floor.
- d. Using a hammer drill and a 1/4" masonry bit, drill a 1 1/4" deep hole on the pencil mark.
- e. Place a plastic anchor in the hole and then rotate glide back so the hole lines up with the plastic anchor in the floor.
- f. Insert a #10 x 1.0" screw through the hole in the glide and secure into the plastic anchor.

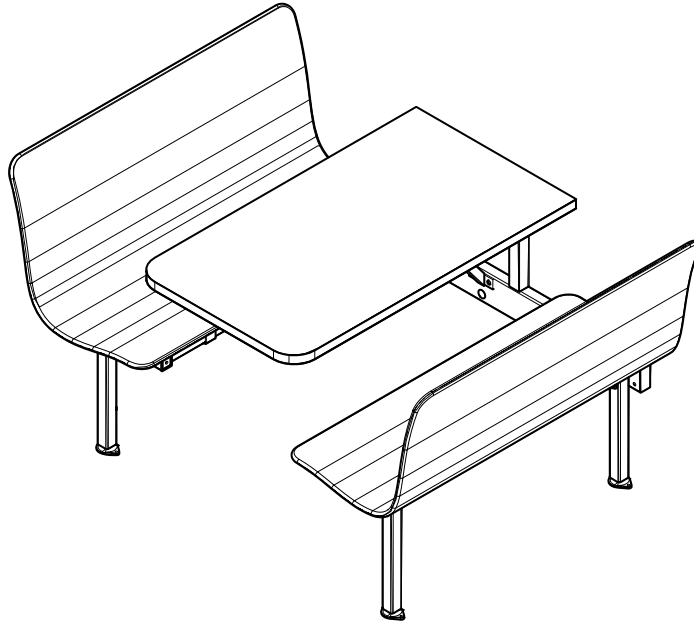


Note: Frames must be anchored to the floor to maintain stability and prevent personal injury.

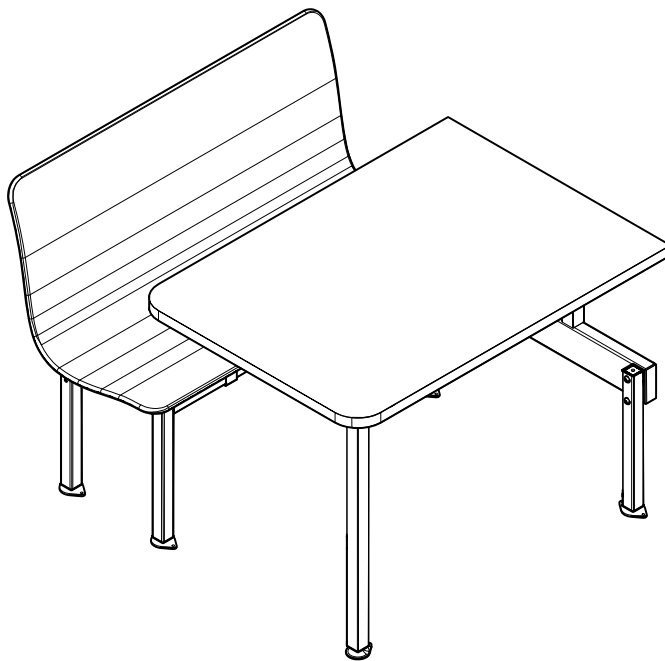
Assembly

Step 8: Care.

- a. Clean furniture and protect unit until ready for use.



Wall Style Adjustable Frame Contour Booth



ADA Wall Style Adjustable Frame Contour Booth